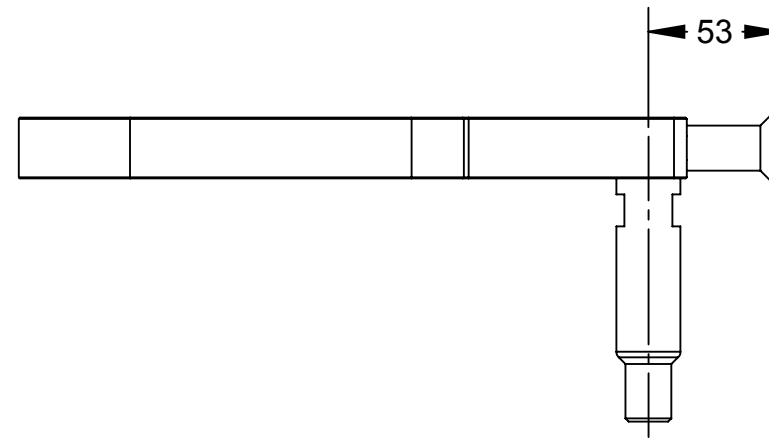
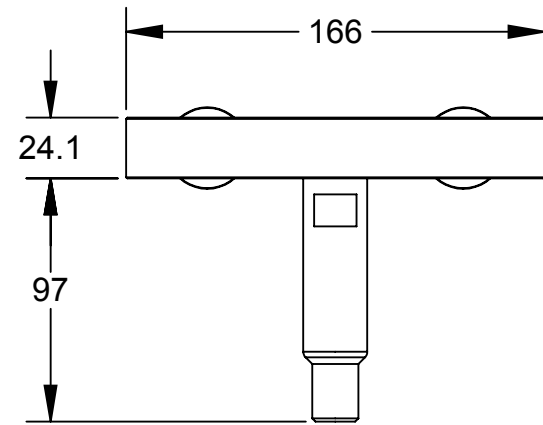
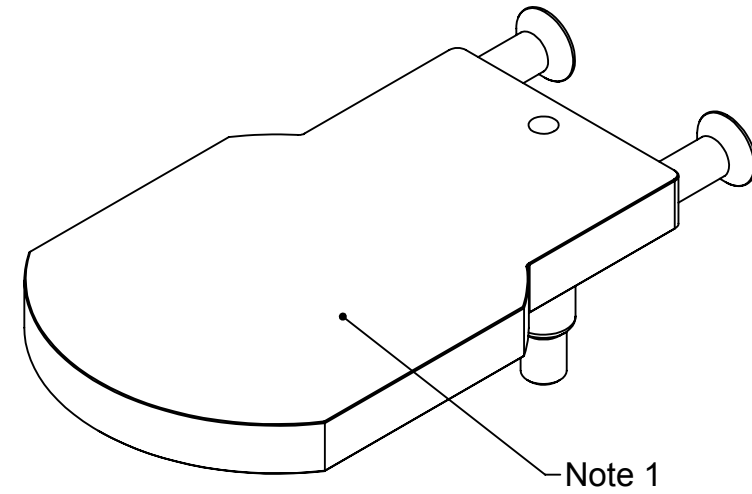
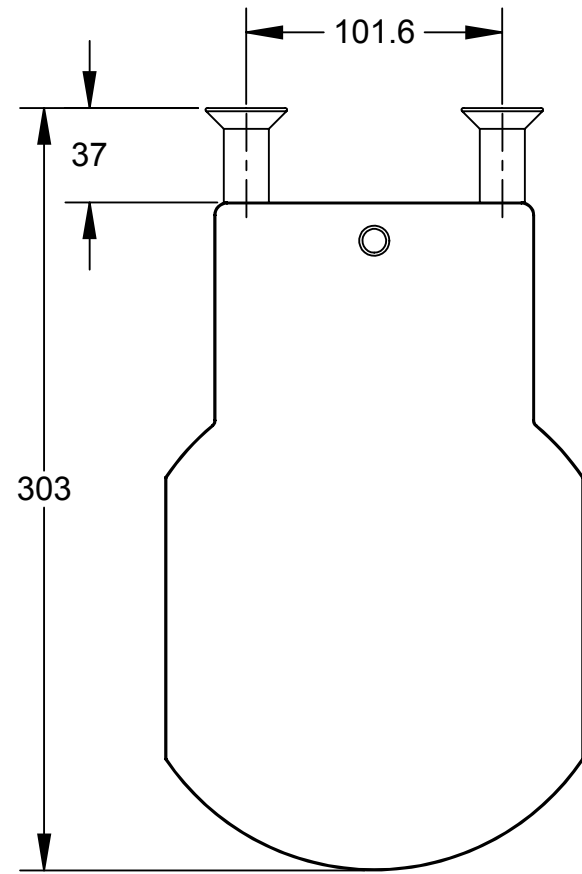

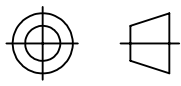


Rev.	Description	Initiator	Date
01	Initial Drawing	JMW	12/03/2013



Notes:

1. Customer to add mounting patterns as needed.

ITEM NO.	QTY.	PART NUMBER	DESCRIPTION
1	1	9120-TSM-HVB-7961	TSM Tooling Interface Plate - Blank
NOTES: UNLESS OTHERWISE SPECIFIED. DO NOT SCALE DRAWING. ALL DIMENSIONS ARE IN MILLIMETERS.		<div style="display: flex; justify-content: space-between;"> <div style="text-align: center;">  <p>ATI INDUSTRIAL AUTOMATION</p> </div> <div style="text-align: right;"> <p>1031 Goodworth Drive, Apex, NC 27539, USA Tel: +1.919.772.0115 Email: info@ati-ia.com Fax: +1.919.772.8259 www.ati-ia.com ISO 9001 Registered Company</p> </div> </div> <p style="text-align: right; font-size: small;">PROPERTY OF ATI INDUSTRIAL AUTOMATION, INC. NOT TO BE REPRODUCED IN ANY MANNER EXCEPT ON ORDER OR WITH PRIOR WRITTEN AUTHORIZATION OF ATI.</p>	
 3rd ANGLE PROJECTION		DRAWN BY: J. Winterroth, 12/03/13 CHECKED BY: D. Norton, 12/04/13	
		TSM Tooling Interface Plate - Blank	
PROJECT # -		SCALE: 1:3	TITLE: TSM Tooling Interface Plate - Blank SIZE: B DRAWING NUMBER: 9630-20-TSM-HVB-7961 REVISION: 01